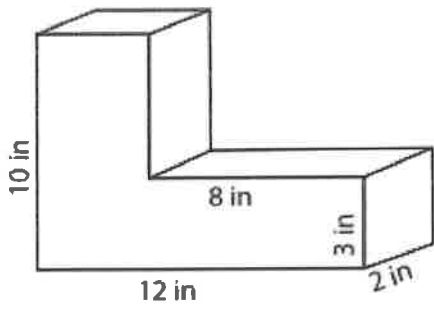


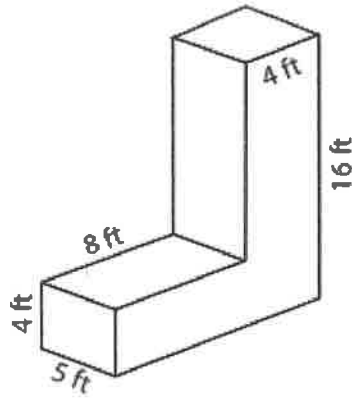
Name _____

Date _____

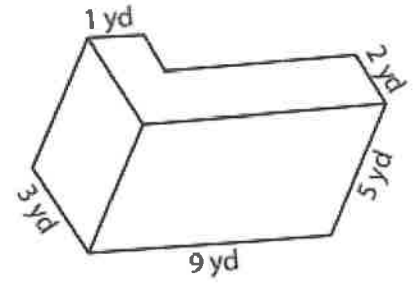
Find the volume of each L-Block.



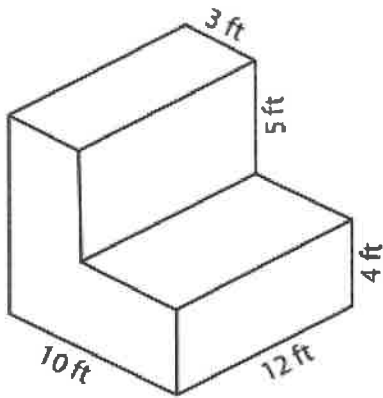
$$128 \text{ in}^3$$



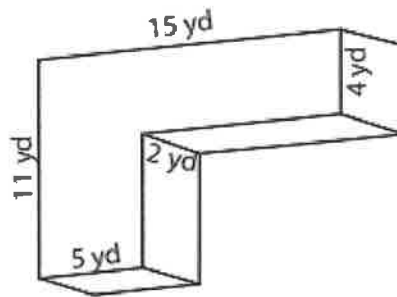
$$480 \text{ ft}^3$$



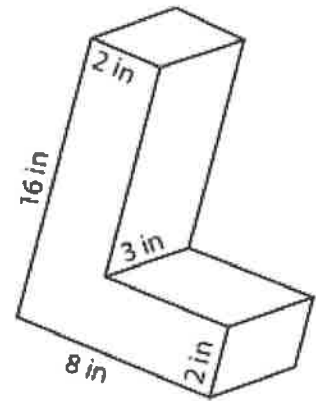
$$95 \text{ yd}^3$$



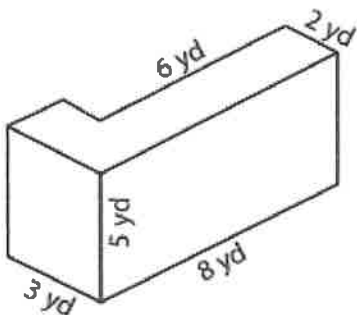
$$660 \text{ in}^3$$



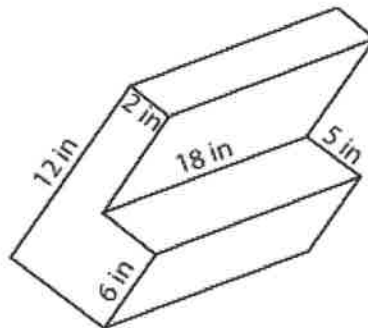
$$190 \text{ yd}^3$$



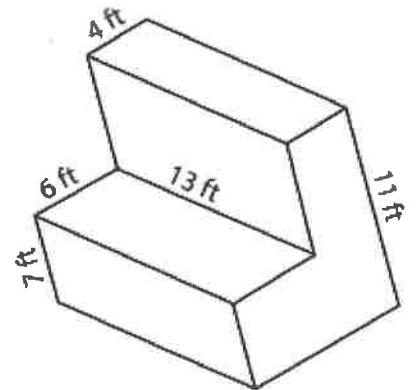
$$132 \text{ in}^3$$



$$90 \text{ ft}^3$$



$$972 \text{ in}^3$$



$$1118 \text{ yd}^3$$