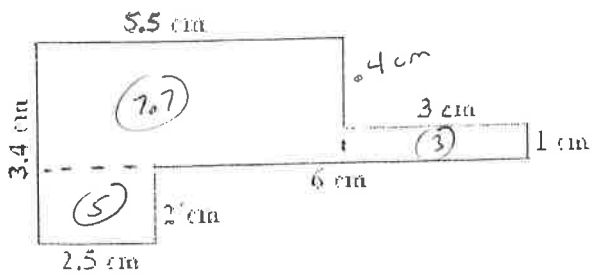
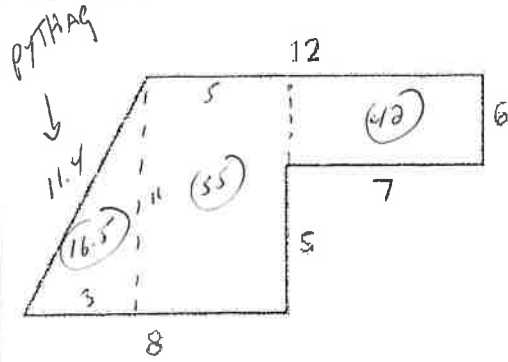


Find the Perimeter and Area. Round final answers to the tenth if needed.



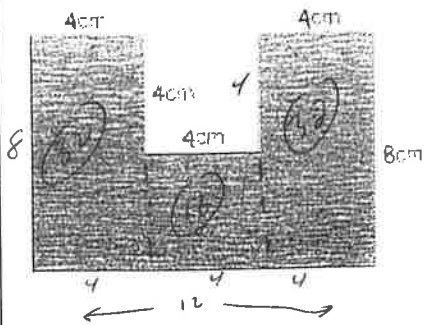
Area = 15.7 cm

P = 23.8 cm



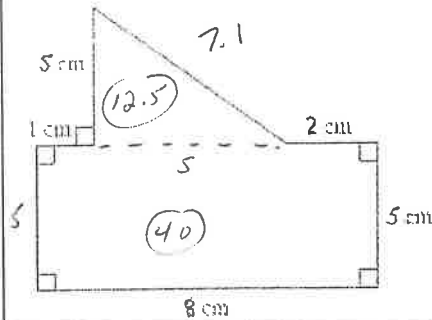
A = 113.5

P = 49.4



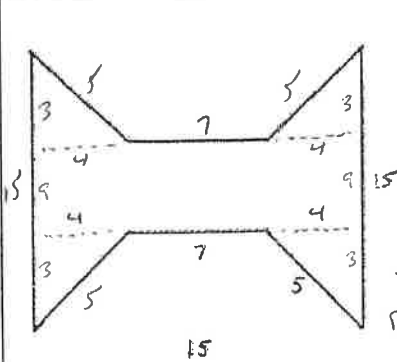
A = 80 cm

P = 48 cm



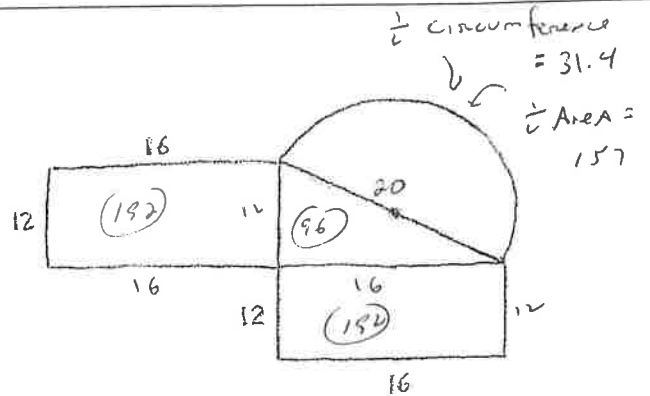
A = 52.5 cm

P = 33.1 cm



A = 159

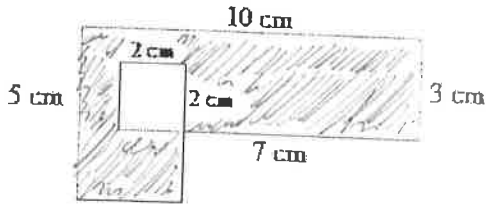
P = 64



A = 637

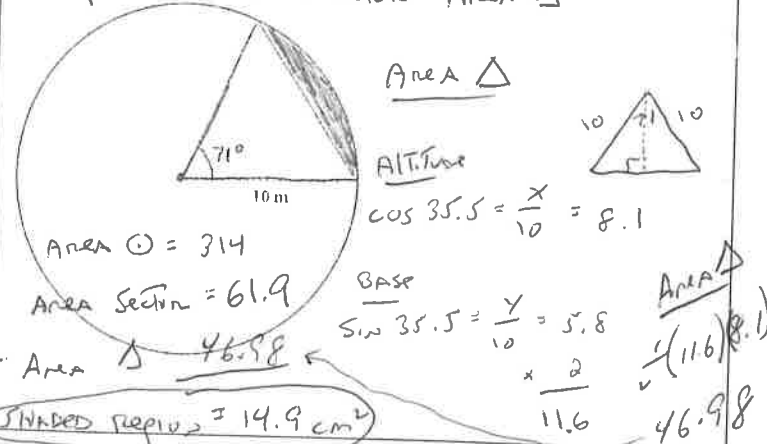
P = 115.4

Find the area of the shaded region. Round final answers to the tenth if needed.



32 cm^2

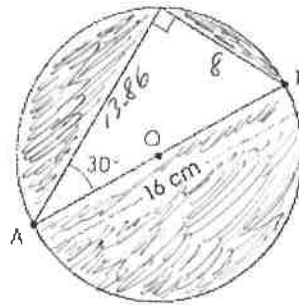
Plan: Area Sector - Area Δ



Plan: Big \odot - Small \odot



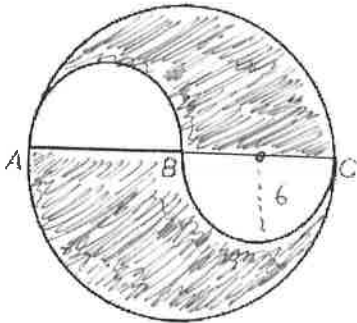
SHADDED REGION = 1124.4 in^2



$A_{\odot} = 200.96$
 $A_{\Delta} = \frac{1}{2}(8)(13.86) = 55.44$

SHADDED REGION = 145.5 cm^2

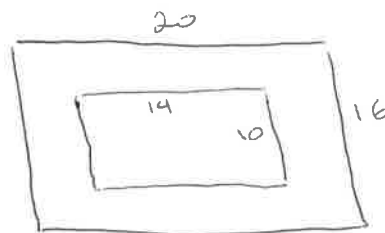
AC = 24



Big $\odot = 2$ small $\frac{1}{2} \odot$
 452.16 113.04

SHADDED REGION = 339.12

Your family plans to refinish the living room by installing carpet with a hardwood border. The room is 16 x 20 ft. The hardwood border is 3 ft wide on all sides. The sales person suggests that carpet be bought in the correct measurement since it will stretch. However, to account for cutting loss, you should purchase 10% more wood than you think you'll need. What is the square footage of carpet to be purchased? What is the square footage of hardwood to be purchased?



Carpet = 140 FT^2
 HARDWOOD
 320
 $- 140$
 180
 $+ 10\%$
 $= 198 \text{ FT}^2$